

# Certikin

## Harvia products for steam room



**HARVIA**  
Natural well-being.



## Steam room relaxation.

Steam room differs from a traditional Finnish sauna in that its temperature is lower and the air humidity higher. The air humidity rises to a hundred per cent, while the temperature remains at 40–45 degrees. Instead of a traditional sauna heater, the heat source in a steam room is a steam generator. With modern technology, steam rooms can be easily installed also in homes. Please note, however, that the wall, ceiling, and seat material in a steam room must be completely waterproof.

The steam room, similarly to the traditional sauna relaxes the muscles, stimulates blood circulation, and provides relief for many kinds of aches and pains. Breathing steam is a traditional cure for the cold – and for a stuffy nose in particular. A relaxing moment in a steam room relieves stress and eases the mind, which may also help sleeping problems, making sleep deeper and more soothing.

## Harvia Steam – For a pleasant steam room experience.



Harvia Steam steam generator brings Harvia's expertise in sauna bathing into steam rooms. It is an oasis of relaxation and good feeling. Let the humid heat pamper your senses and forget time and rush for a moment.

### Easy to use.

Harvia Steam is easy to install. No separate mounting-rack is needed and coupling is dimensioned by standard. Harvia Steam is also easy to maintain and user-friendly with splash proof construction, optional auto clean function and easy access to all changeable parts. Models HGS45M, HGS60M, HGS90M and HGS11M. Up to 4 HGS11L extra power units can be linked with basic steam generator to be controlled with same control panel.

A fragrance pump and an automatic discharge valve are available as accessories.

### Harvia Griffin Steam control panel

Harvia Steam is controlled by a separate control panel – Harvia Griffin Steam. The digital control panel is easy to operate due to its large screen and simple control menu.

Controlled functions:

- steam generator
- fragrance pump
- lighting
- fan

Size 94 x 28 x 113 mm (w x d x h).



## Options for Harvia Steam steam generator

### Automatic discharge valve

An automatic discharge valve makes the use of the steam generator even easier than before. The automatic discharge valve rinses the steam generator at set intervals and every time the steam generator is turned off. This procedure removes any precipitated lime from the steam generator. In order to keep the steam generator in good operating condition, it is essential to remove lime efficiently at regular intervals.

The Harvia Steam steam generator comes with a manual discharge valve as standard equipment.



### Fragrance pump

A fragrance pump can be programmed to automatically mix steam fragrance to the steam. The pump is a diaphragm pump and it can be used in both small and large steam rooms, because the amount of the fragrance can be adjusted according to where it is used. The steam fragrance container attached to the fragrance pump can be small or large.



### Eucalyptus fragrance for steam room

A Harvia Eucalyptus fragrance for steam room makes the pampering steam room experience even better than before. The fragrance pump mixes the fragrance for steam room liquid with the steam from the steam generator.

The Harvia Eucalyptus fragrance for steam room is a homogenous liquid, and it mixes perfectly with water. The fragrance for steam room is available in 5 liter canisters. One canister gives over 100 liters of mixed liquid for use. Dilution ratio: 1 part fragrance for steam room and 20 parts water.



### Steam nozzle

Harvia Steam steam generator's standard delivery includes one steam nozzle. Extra steam nozzles are available as accessories.



## Harvia aluminium frame door



The aluminium frame door is an excellent solution for a steam room or a sauna door. It is designed for conditions where the materials need very good humidity resistance. There are no wooden parts in the door. The aluminium frames (40 x 60 mm) are light grey in colour. The glass is tempered 8 mm safety glass. Seals keep the heat and steam in. Aluminium frame door is maintenance-free decade after decade.

The aluminium frame door is installed with hidden screws leaving no screw-heads visible. The end result is elegant and refined. The sturdy door handle is made of aluminium. The colour options are bronze, smoky grey, clear and satin. Satin glass is not available for double door.

The Harvia aluminium frame door is available as both single and double all-glass door.

#### Single door, sizes:

7 x 19 (size of the frame 690 x 1890 mm)  
8 x 19 (size of the frame 790 x 1890 mm), 8 x 21 (size of the frame 790 x 2090 mm)  
9 x 19 (size of the frame 890 x 1890 mm), 9 x 21 (size of the frame 890 x 2090 mm)

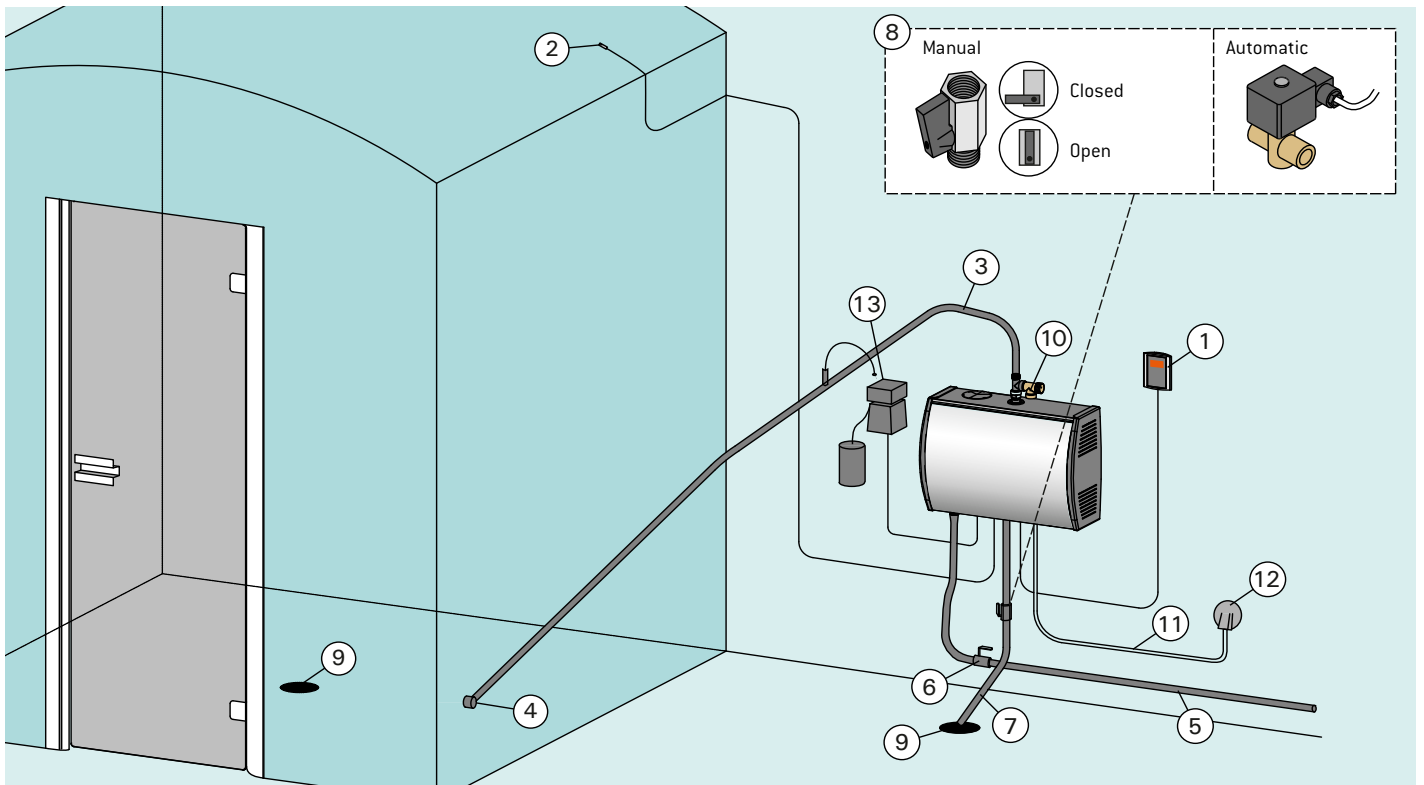
#### Double door, sizes:

13 x 19 (size of the frame 1315 x 1890 mm), 13 x 21 (size of the frame 1315 x 2090 mm)  
15 x 19 (size of the frame 1515 x 1890 mm), 15 x 21 (size of the frame 1515 x 2090 mm)  
17 x 19 (size of the frame 1715 x 1890 mm), 17 x 21 (size of the frame 1715 x 2090 mm)

## Technical data

Model	Output	Recommended steam room size (m <sup>3</sup> )						Steam output capacity	230 V 1N ~		400 V 3N ~	
		Light wall (acrylic, etc.)		Tiled light wall		Tiled stone wall, etc.			Cable	Fuse	Cable	Fuse
	kW	Ventilated	Not ventilated	Ventilated	Not ventilated	Ventilated	Not ventilated	kg/h	mm <sup>2</sup>	A	mm <sup>2</sup>	A
HGS45	4,5	2-5	2-7	2-4	2-6	2-3,5	2-4,5	5,5	3 x 6	25	5 x 1,5	3 x 10
HGS60	5,7	2,5-8	3,5-11	2-6	3-9	2-5	2-7,5	7,6	3 x 6	25	5 x 1,5	3 x 10
HGS90	9,0	6-12	9-17	4,5-10	7,5-14	3-8	6-11,5	12,0	-	-	5 x 2,5	3 x 16
HGS11	10,8	10-14,5	15-21	8-12	12-17	6-10	10-14	14,6	-	-	5 x 2,5	3 x 16
Multidrive (example)												
HGS45 + HGS11L	15,3	12-19,5	17-28	10-16	14-23	8-13,5	12-18,5	20,1	-	-	5 x 1,5 + 5 x 2,5	3 x 10 + 3 x 16
HGS60 + HGS11L	16,5	12,5-22,5	18,5-32	10-18	15-26	8-15	12-21,5	22,2	-	-	5 x 1,5 + 5 x 2,5	3 x 10 + 3 x 16
HGS90 + HGS11L	19,8	16-26,5	24-38	12,5-22	19,5-31	9-18	16-25,5	26,6	-	-	2 x 5 x 2,5	2 x 3 x 16
HGS11 + HGS11L	21,6	20-29	30-42	16-24	24-34	12-20	20-28	29,2	-	-	2 x 5 x 2,5	2 x 3 x 16

Dimensions: width 520 mm, depth 196 mm, height 411 mm. Weight: 11 kg (water reservoir empty), 14 kg (water reservoir full).



- |                                       |                               |
|---------------------------------------|-------------------------------|
| 1. Harvia Griffin Steam control panel | 8. Discharge valve            |
| 2. Temperature sensor                 | 9. Floor drain                |
| 3. Steam pipe                         | 10. Overpressure valve        |
| 4. Steam nozzle                       | 11. Connection cable          |
| 5. Water supply pipe                  | 12. Junction box              |
| 6. Water supply pipe valve            | 13. Fragrance pump (optional) |
| 7. Discharge water pipe               |                               |