



Graphite line

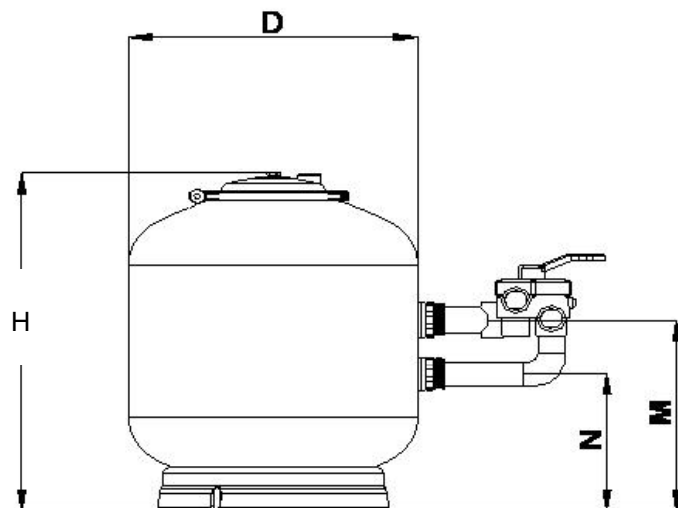
by **Certikin**

BOBBIN WOUND FILTERS

The filter tank is made of an inner fibreglass bladder to resist implosion and high pressure capability with a gel coat layer to avoid capillarity which is then continuously wound with fibreglass strands to create a high strength vessel.

This process is recognised as one of the strongest methods of manufacturing a non corrosive high strength filter tank.

All components are injection moulded from high strength engineering plastics.



BOBBIN WOUND SIDE MOUNT FIBREGLASS FILTERS - BWS								
Code / Model	03010301	03010302	03010303	03010304	03010305	03010306	03010307	03010308
	FFBS400	FFBS460	FFBS500	FFBS600	FFBS700	FFBS700A	FFBS800	FFBS900
Ø Filter D mm	400	460	500	600	700	700	800	900
H mm	635	590	710	730	855	855	965	1030
M mm	385	412	460	482	485	545	600	680
N mm	260	287	335	357	360	315	370	450
Connections	1.5"	1.5"	1.5"	1.5"	1.5"	2"	2"	2"
Flow rate m ³ /h at 50 m ³ /h/m ²	6	8	10	14	18	21	24	33
Pea Gravel Kg				50	50	50	75	75
Sand Kg	50	75	100	100	150	150	255	335
Max working pressure Kg/cm ²	3	3	3	2,5	2,5	2,5	2,5	2,5
Net weight Kg	12	15	16	18,5	20,6	20,6	23,8	28,6

•We reserve the right to change all or part of the features of the articles or contents of this document, without prior notice.

•Nous nous réservons le droit de modifier totalement ou en partie les caractéristiques de nos articles ou le contenu de ce document sans préavis.



Graphite line

by **Certikin**

LOGISTIC DATA



SIDE MOUNT BOBBIN WOUND FIBREGLASS FILTERS - BWS

CODE	Packaging Box Size (cm)			Volume m3	Net Weight Kg
	a	b	c		
03010301	54	54	74	0,22	12,0
03010302	54	54	74	0,22	14,5
03010303	54	54	74	0,22	15,5
03010304	65	65	83	0,35	18,5
03010305	73	73	83	0,44	20,6
03010306	84	84	96	0,68	20,6
03010307	84	84	96	0,68	23,8
03010308	94	94	102	0,90	28,6

SIDE MOUNT VALVE

CODE	Packaging Box Size (cm)			Volume m3
	a	b	c	
1,5"	60	40	33	0,08
2"	73	55	33	0,13