



Certikin



Discover a new way to enjoy your pool



COUNTER CURRENT UNIT

- The Swimfit Counter Current system is especially designed with small private pools in mind.
- With a Swimfit Counter Current installed in a pool you can swim as far as you like, for as long as you like.
- The system is equipped with a 3HP pump to create a counter stream of water which allows you to swim on the spot.
- The adjustable current means that swimmers of all levels can swim at their own pace for as long as they like.
- The directional inlet allows a 15° inclination in any direction and also features an adjustable air / water mixer for a relaxing bubble massage effect.

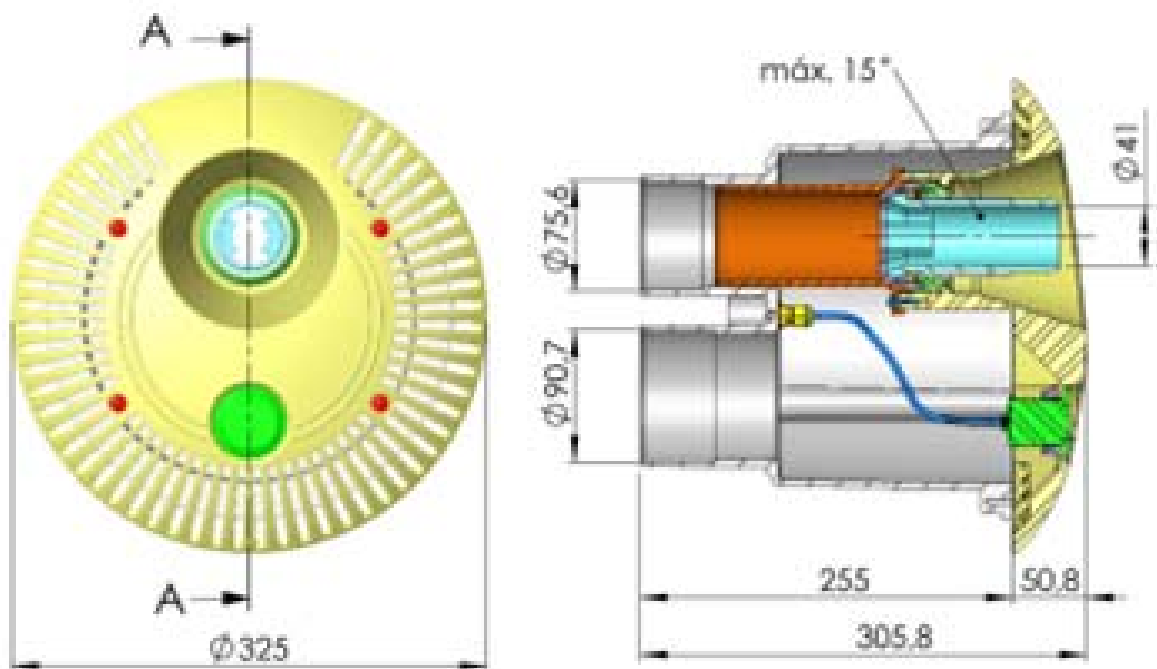
Specifications:

- Flow Qmax – 40m³/h
- Water return connection – 90mm
- Water impulse connection -75mm
- Air tube connection -20mm
- Max. angle adjustment of jet - 15°
- Pump capacity – 3HP (220v/380v)

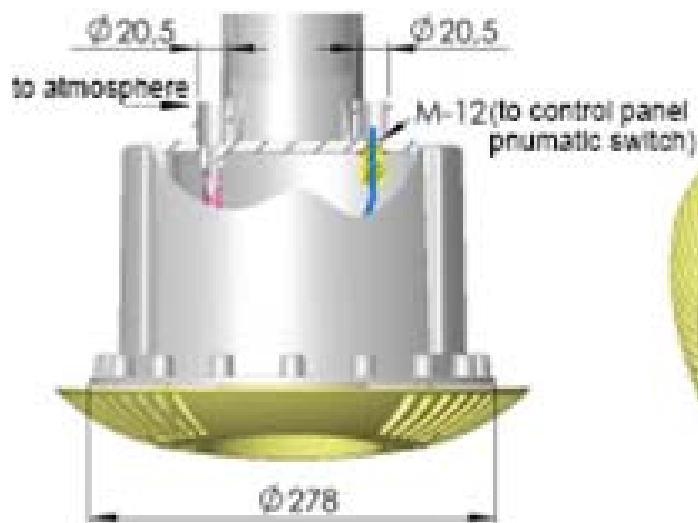
Certikin

Discover a new way to enjoy your pool

Dimension - for Counter current faceplate




Section A-A

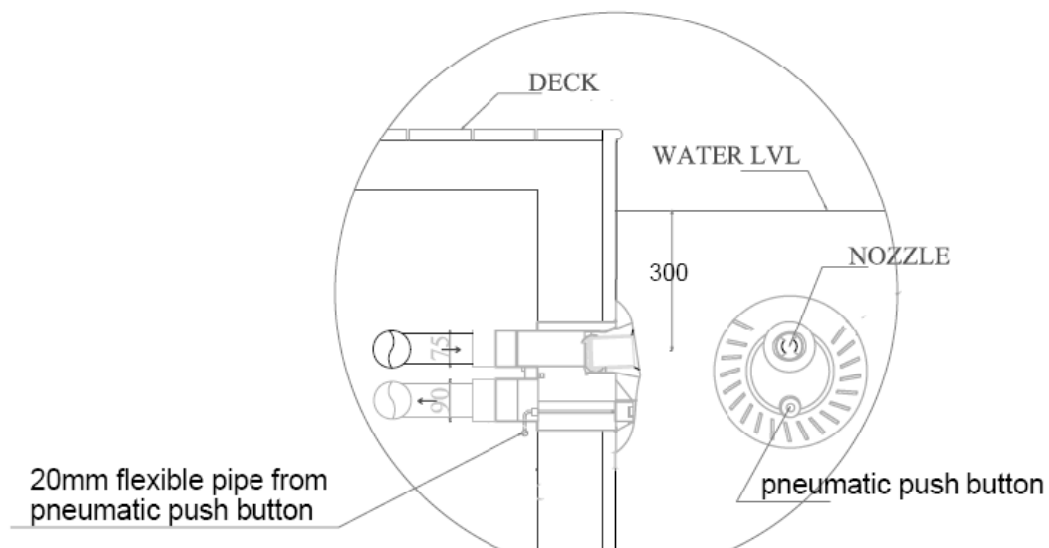




Certikin



Discover a new way to enjoy your pool



Installation

- The housing should be installed during pool construction.
- The face plate nozzle centre should be installed 300mm below the water level
- Pump should be installed as close as possible to the pool for maximum performance (within IEE regulations)